

Original Mantis Spares & Servicing

The 'Original' Mantis has now been replaced with an all new family of stereo viewers. Spare parts are still available for the Original Mantis so that you can continue to use this great inspection tool.

Spares & Repairs

If the part/s you require do not feature in the following pages or you have another problem with your Mantis, Vision Engineering has a worldwide network of Service Centres ready to help you get back up and running.

Servicing

If you require a service, our trained technicians can check your Mantis over to ensure that it's working correctly.

Cleaning

We understand that our products are used in a wide range of environments and that sometimes the Mantis can get a little dirty, reducing optical performance, or blocking cooling fans.

Your local Service Centre will check and clean your Mantis as part of any routine service.



Note: To find your nearest Mantis Service Centre, contact your local Vision Engineering Representative.

All Original Mantis returned for repairs, servicing or cleaning must be accompanied with a completed Return Materials Authorisation Form.

Download it from our website: www.visioneng.com/rma



Spot Lamp Bulb

Part No. LAM-1300
Retrieved by removing lighting covers/filter holders.

Lighting Cover / Filter Holder (Left)

Part No. 187-C-0075
Located below left spot lamp bulb.



Lamp Filter

Part No. 187-0115 (blue glass)*
187-A-0115 (white glass)
Located in lighting covers/filter holders below spot lamp bulbs.
* standard

Lighting Cover / Filter Holder (Right)

Part No. 187-C-0076
Located below the right viewing screen.



Fan Cover Assembly (Complete with fan, fan cover and connectors)

Part No. 187-A-0211
Located in front of the lens turret assembly.

Illuminator Bracket Assembly (Left)

Part No. 187-A-0209
Located within the left spot lamp assembly.



Lens Turret Assembly

Part No. 187-A-0208
Located centrally underneath head.

Illuminator Bracket Assembly (Right)

Part No. 187-A-0210
Located within the right spot lamp assembly.



Glare Shield

Part No. 187-B-0090
Located below the viewing screen.

Accessories

Part No.	Description
M-010	Lens Protection Cap for x2, x4, x6, x8 Lens
M-011	Lens Protection Cap for x10 Lens
M-016	Lens Protection Cap for x6 SLWD Lens
M-006	Desiccant (pack of 10)
M-007	Dust Cover
M-014	x2 Objective Lens
M-015	x4 Objective Lens
M-004	x6 Objective Lens
M-013	x6 Super Long Working Distance (SLWD) Objective Lens
M-008	x8 Objective Lens
M-009	x10 Objective Lens



Yaw Bolt Cover

Part No. 187-A-0079

Covers the bolt which passes through the head and the yaw hinge.

FX Stage Glass

Part No. 187-A-0265

Located within the adjustable stage.



Yaw Hinge

Part No. 187-C-0107

Holds head securely on stand.

Miscellaneous

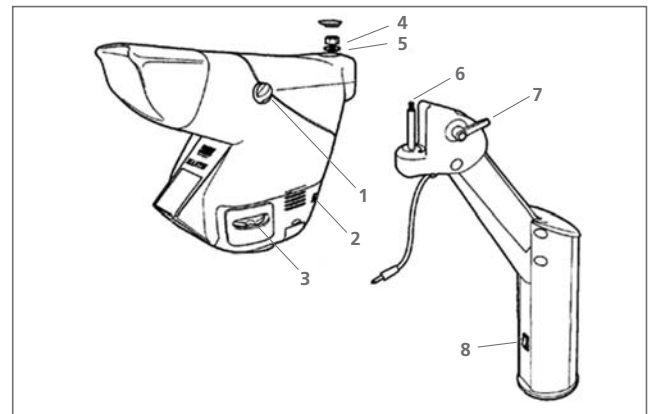
Key	Part No.	Description
1	187-B-0054	Eye Spacing Control
2	187-A-0153	Low Voltage Socket (Socket & PCB Assembly)
3	187-B-0077	Illumination Adjustment Control (Thumb Wheel)
4	NUT-0047	Nut (for Yaw Spigot)
5	HDW-1054	Washer (for Yaw Spigot)
6	187-A-0056	Yaw Spigot (Spindle)
7	HAN-0567	Height Friction Clamp (Handle)
8	SWI-0122	On-Off Switch
-	HDW-1030	Rubber Grommet (Desiccant Cover)



Cable Assembly (Head connector lead)

Part No. 187-A-0282

Upper part of cable within stand for supplying power to head, with 3.5mm jack connector.



Plastic Universal Stand Base

Part No. 187-C-0258

Used with G-Clamp for securing Mantis to bench/work surface.



G-Clamp

Part No. HDW-1092

Used for securing stand base to bench/work surface.

Complete the form below and return it to your local
Vision Engineering Representative ...

- I would like to have my Mantis serviced & cleaned
- I would like to have my Mantis repaired
- I require assistance with ordering spare parts
- I am interested in the new Mantis



Find out about the
NEW Mantis family...
www.visioneng.com/mantis

Title (Mr, Miss, Ms, Dr) _____ First Name: _____
Surname: _____
Job Title: _____
Company: _____
Address: _____

Town: _____
County/State: _____ Postcode/Zip: _____
Telephone No.: _____ Fax No: _____
Email: _____
Website: _____
Industry: _____

Details:





Vision Engineering manufactures a comprehensive range of ergonomic stand-alone mono and stereo microscopes as well as a complete line of non-contact measuring systems.

For more information...

Vision Engineering has a network of offices and technical distributors around the world. For more information, please contact your Vision Engineering branch, local authorised distributor, or visit our website.

Vision Engineering Ltd.
(Manufacturing)
Send Road, Send, Woking,
Surrey, GU23 7ER, England
Tel: +44 (0) 1483 248300
Fax: +44 (0) 1483 223297
Email: generalinfo@visioneng.com

Vision Engineering Inc.
(Manufacturing & Commercial)
570 Danbury Road, New Milford,
CT 06776 USA
Tel: +1 (860) 355 3776
Fax: +1 (860) 355 0712
Email: info@visioneng.com

Vision Engineering Ltd.
(Central Europe)
Anton Pendele Strasse 3,
D-82275, Emmering, Germany
Tel: +49 (0) 8141 40167-0
Fax: +49 (0) 8141 40167-55
Email: info@visioneng.de

Vision Engineering Ltd.
(France)
1 Rue de Terre Neuve, ZA Courtaboeuf,
91967 Les Ulis Cedex, France
Tel: +33 (0) 164 46 90 82
Fax: +33 (0) 164 46 31 54
Email: info@visioneng.fr

Vision Engineering Ltd.
(Commercial)
Monument House, Monument Way West,
Woking, Surrey, GU21 5EN, England
Tel: +44 (0) 1483 248300
Fax: +44 (0) 1483 248301
Email: generalinfo@visioneng.com

Vision Engineering Inc.
(Commercial West Coast USA)
745 West Taft Avenue, Orange,
CA 92865 USA
Tel: +1 (714) 974 6966
Fax: +1 (714) 974 7266
Email: info@visioneng.com

Nippon Vision Engineering
(Japan)
272-2 Saedo-cho, Tsuduki-ku,
Yokohama-shi, 224-0054, Japan
Tel: +81 (0) 45 935 1117
Fax: +81 (0) 45 935 1177
Email: info@visioneng.jp

Vision Engineering Ltd.
(Italy)
Via Cesare Cantù, 9
20092 Cinisello Balsamo MI, Italy
Tel: +39 02 6129 3518
Fax: +39 02 6129 3526
Email: info@visioneng.it

Distributor

Visit our multi-lingual website:

www.visioneng.com